

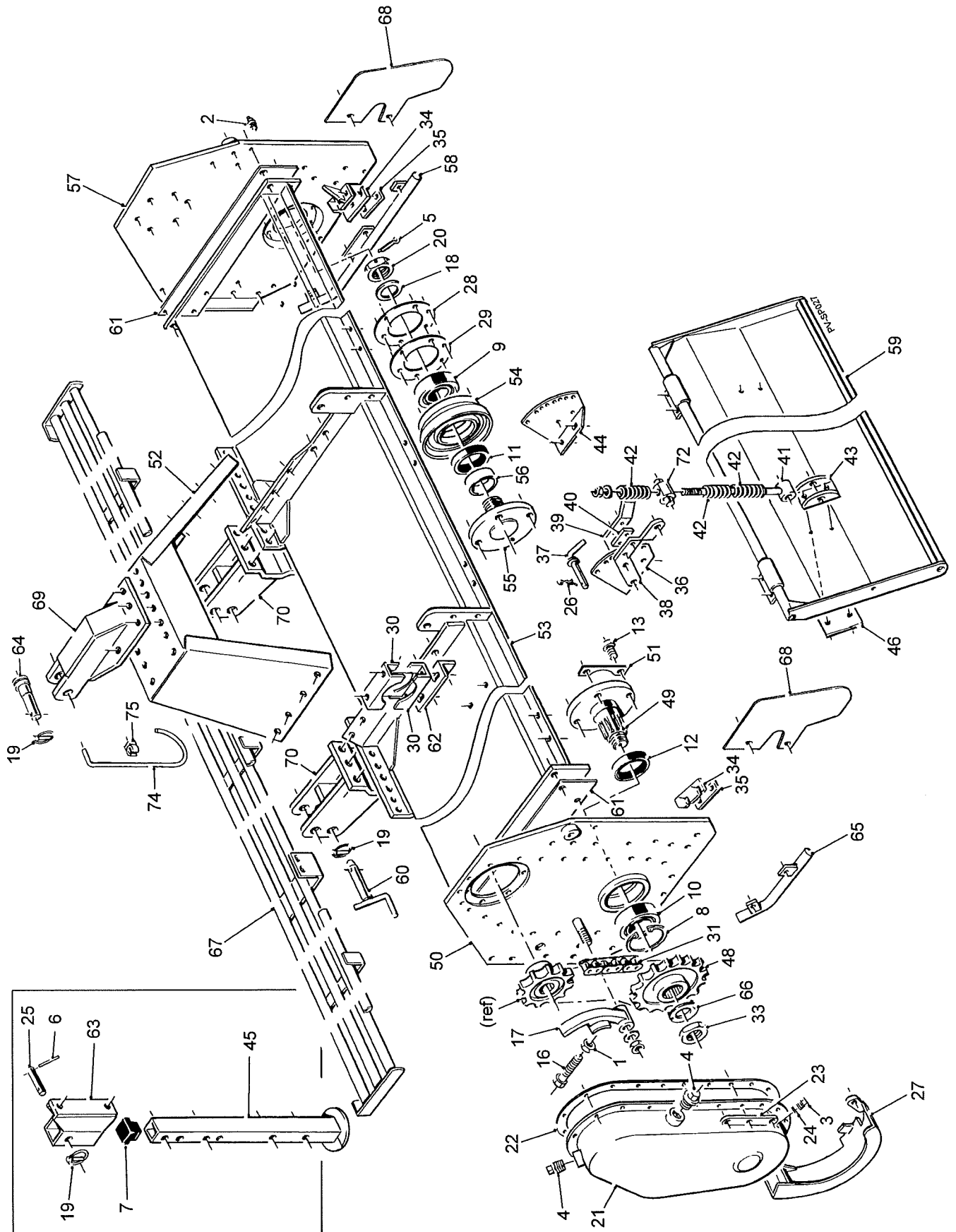
CONTENTS

POWAVATOR 90 SPARE PARTS

90"/80"/70" Hull Assemblies	2.1
Rotor Assemblies	2.2
Gearbox Assembly	2.3
PTO Drive Coupling & Clutch	2.4
Depth Control Wheels	2.5
Depth Control Skids	2.6
Crumbler Roller Assemblies	2.7

Note: When using the following pages to order replacement parts, please quote the full serial number of your machine.

90"/80"/70" Hull Assemblies



2.1a

POWAVATOR 90 SPARE PARTS

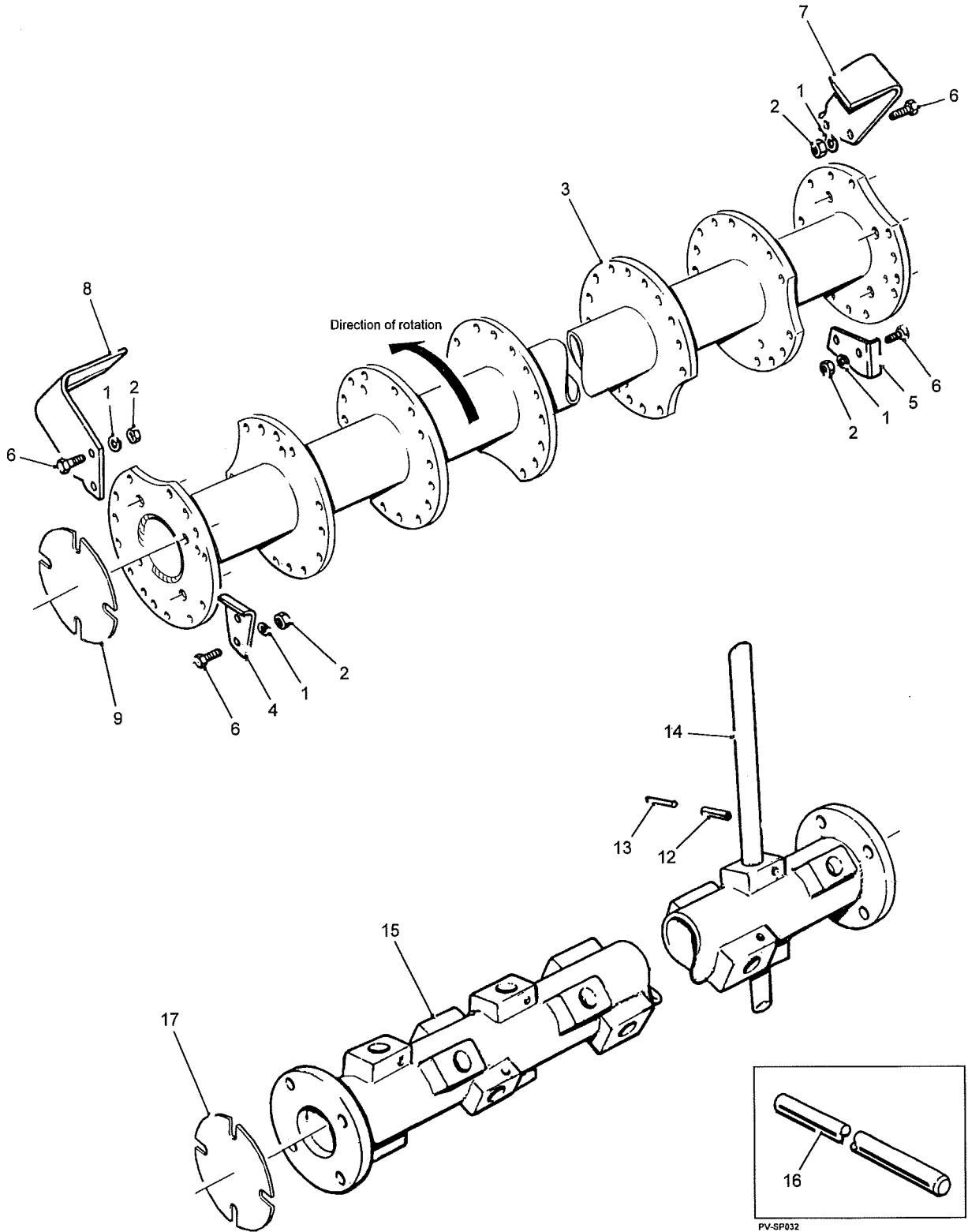
90"/80"/70" Hull Assemblies

Item	Part No.	Description	Qty.	Remarks
1	DW107612025	3/4"BSW Locknut	1	
2	DW202030020	1/8"BSP Grease Nipple	1	
3	11292	1/8"BSP Plug	1	Was DW203031160
4	DW203031200	3/4"BSP Square Head Plug	2	
5	DW208010240	Split Pin (1/8"x2")	1	
6	DW208012715	Tension Pin (Ø8x80mm)	1	
7	DW208044090	Plastic Insert	1	
8	DW208101630	Internal Circlip (Ø140mm)	1	
9	DW254510251	Bearing	1	
10	DW256514331	Bearing	1	
11	DW263022043	Oil Seal	1	
12	DW264030064	Oil Seal	1	
13	DW331320350	M20 Setscrew	8	
14				
15				
16	DW24833	Adjuster Screw	1	
17	DW24853	Chain Skid	1	
18	DW48486	Special Washer	1	
19	DW50934	Linch Pin	4	
20	DW61079	Special Castellated Nut	1	
21	DW61814	Chaincase	1	
22	DW61816	Gasket	1	
23	DW61817	Stiffener	1	
24	11294	1/8"BSP Dowty Seal	1	
25	DW330115	Pin	1	
26	DW330237	R'Clip	4	Qty 2 on 70" machine
27	DW335066	Ground Skid	1	
28	DW335094	Gasket	1	
29	DW335095	Packer	1	
30	DW335158	Clamp Half	4	
31	DW335295	1 1/2"Pitch Drive Chain	1	
32				
33	DW650018	Special Nut	1	
34	DW650076	Cutter Blade	2	
35	DW650077	Backing Strip	2	
36	DW650112	RH Shield Selector	2	Qty 1 on 70" machine
37	DW650113	Locking Pin	4	Qty 2 on 70" machine
38	DW650116	LH Adjuster Arm	4	Qty 2 on 70" machine
39	DW650117	RH Adjuster Arm	4	Qty 2 on 70" machine
40	DW650119	Spacer	4	Qty 2 on 70" machine
41	DW650120	Spring Bar	4	Qty 2 on 70" machine
42	DW650124	Spring	12	Qty 6 on 70" machine
43	DW650125	Support Bracket	4	Qty 2 on 70" machine
44	DW650127	LH Shield Selector	2	Qty 1 on 70" machine
45	DW650240	Parking Stand	1	
46	DW650784	Backing Plate	4	
47				
48	DW800067	17T Sprocket	1	
49	DW800068	Rotor Drive Shaft	1	
50	DW800070	Chaincase Backplate	1	
51	DW800499	Tab Washer	4	
52	DW800123	Topmast	1	
53	DW800137	90"Hull	1	
	DW800138	80"Hull	1	
	DW800139	70"Hull	1	

POWAVATOR 90 SPARE PARTS**2.1b****90"/80"/70" Hull Assemblies**

Item	Part No.	Description	Qty.	Remarks
54	DW800163	Bearing Housing	1	
55	DW800164	Rotor Stub Shaft	1	
56	DW800165	Sleeve	1	
57	DW800166	Side Plate	1	
58	DW800168	RH Skid	1	
59	DW800171	90"Trailing Board	2	
	DW800172	80"Trailing Board	2	
	DW800173	70"Trailing Board	1	
60	DW800186	Hitch Pin	2	
61	DW800189	Spacer	a/r	
62	DW800208	Support Angle	2	
63	DW800211	Stand Support	1	
64	DW800230	Top Hitch Pin (CAT 2)	1	
65	DW800380	LH Skid	1	
66	DW800388	Tab Washer	1	
67	DW800522	90"Front Guard	1	
	DW800523	80"Front Guard	1	
	DW800524	70"Front Guard	1	
68	DW800530	Side Guard	2	
69	DW800588	Top Hitch Bracket	1	
70	DW800593	Hitch Bracket	2	
71				
72	DW801282	Trunnion	4	Qty 2 on 70" machine
73				
74	DW821811	PTO Hook	1	
75	DW821814	Hook Clip	1	

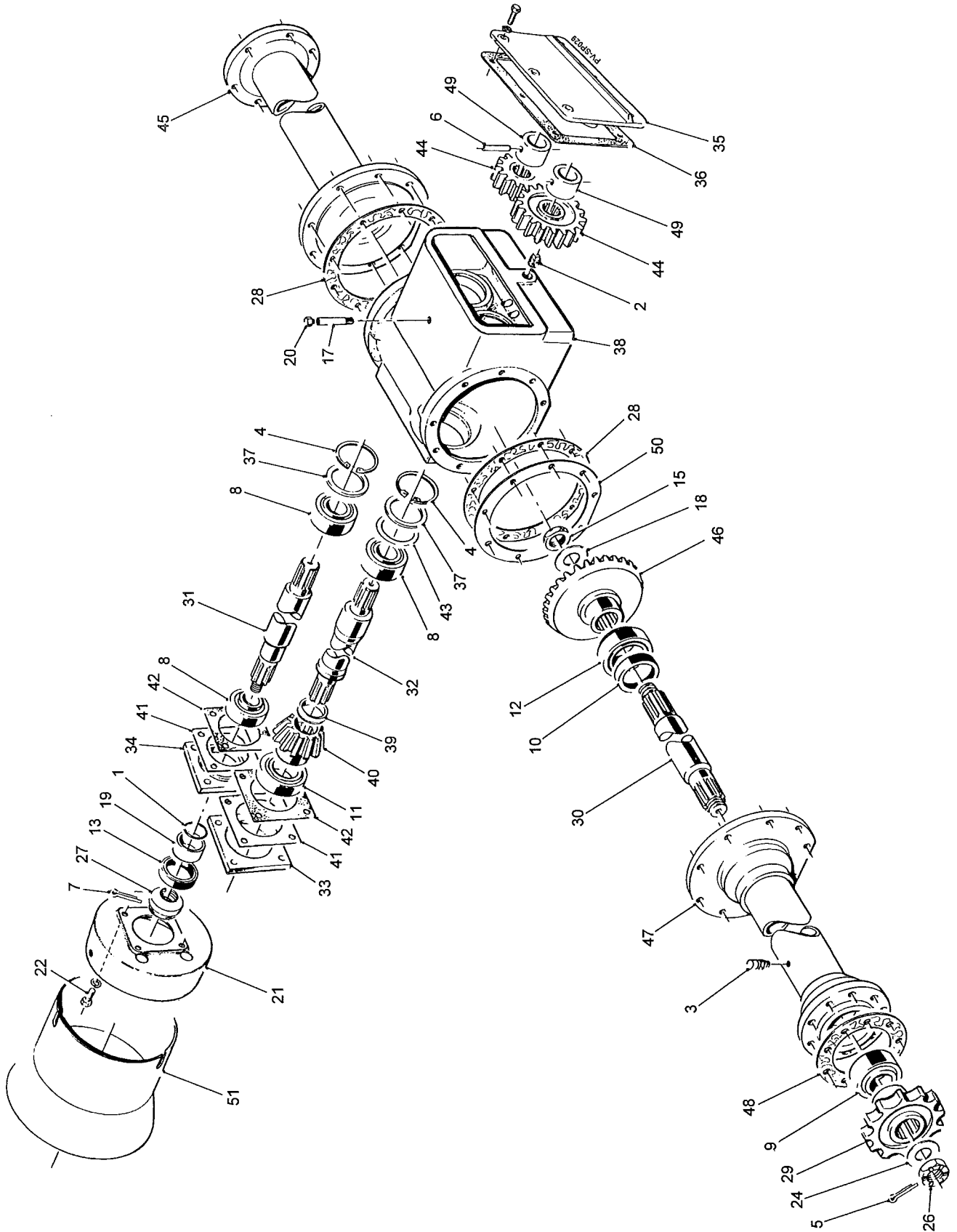
Rotor Assemblies



Rotor Assemblies

Item	Part No.	Description	Qty.	Remarks
		Blade Rotor Assemblies Consist Of:		
1	DW108081440	1/2" Spring Washer	112	(90" rotor)
	DW108081440	1/2" Spring Washer	100	(80" rotor)
	DW108081440	1/2" Spring Washer	88	(70" rotor)
2	DW52053	Special Nut	112	(90" rotor)
	DW52053	Special Nut	100	(80" rotor)
	DW52053	Special Nut	88	(70" rotor)
3	DW800108	90" Rotor	1	
	DW800109	80" Rotor	1	
	DW800110	70" Rotor	1	
4	DW800119	Shearing Blade LH	1	
5	DW800120	Shearing Blade RH	1	
6	DW9844	Special Bolt	112	(90" rotor)
	DW9844	Special Bolt	100	(80" rotor)
	DW9844	Special Bolt	88	(70" rotor)
7	DW3900	LH Blade	27	(90" rotor)
	DW3900	LH Blade	24	(80" rotor)
	DW3900	LH Blade	21	(70" rotor)
8	DW3901	RH Blade	27	(90" rotor)
	DW3901	RH Blade	24	(80" rotor)
	DW3901	RH Blade	21	(70" rotor)
7	DW9948	LH Blade	27	(90" rotor)
	DW9948	LH Blade	24	(80" rotor)
	DW9948	LH Blade	21	(70" rotor)
8	DW9949	RH Blade	27	(90" rotor)
	DW9949	RH Blade	24	(80" rotor)
	DW9949	RH Blade	21	(70" rotor)
9	DWS241	Shim (1mm)	a/r	
	DWS242	Shim (2mm)	a/r	
	DWS243	Shim (4mm)	a/r	
10				
11				
		Spike Rotor Assemblies Consist Of:		
12	DW208015420	Spirol Pin (Ø1/2"x2 1/4")	37	(90" rotor)
	DW208015420	Spirol Pin (Ø1/2"x2 1/4")	32	(80" rotor)
	DW208015420	Spirol Pin (Ø1/2"x2 1/4")	29	(70" rotor)
13	DW208086300	Spirol Pin (Ø5x40mm)	37	(90" rotor)
	DW208086300	Spirol Pin (Ø5x40mm)	32	(80" rotor)
	DW208086300	Spirol Pin (Ø5x40mm)	29	(70" rotor)
14	DW305434	Spike	37	(90" rotor)
	D3W05434	Spike	32	(80" rotor)
	D3W05434	Spike	29	(70" rotor)
15	DW800223	90" Spike Rotor	1	
	DW800224	80" Spike Rotor	1	
	DW800297	70" Spike Rotor	1	
16	DW330291	Pin Removal Bar	1	
17	DWS241	Shim (1mm)	a/r	
	DWS242	Shim (2mm)	a/r	
	DWS243	Shim (4mm)	a/r	

Gearbox Assembly



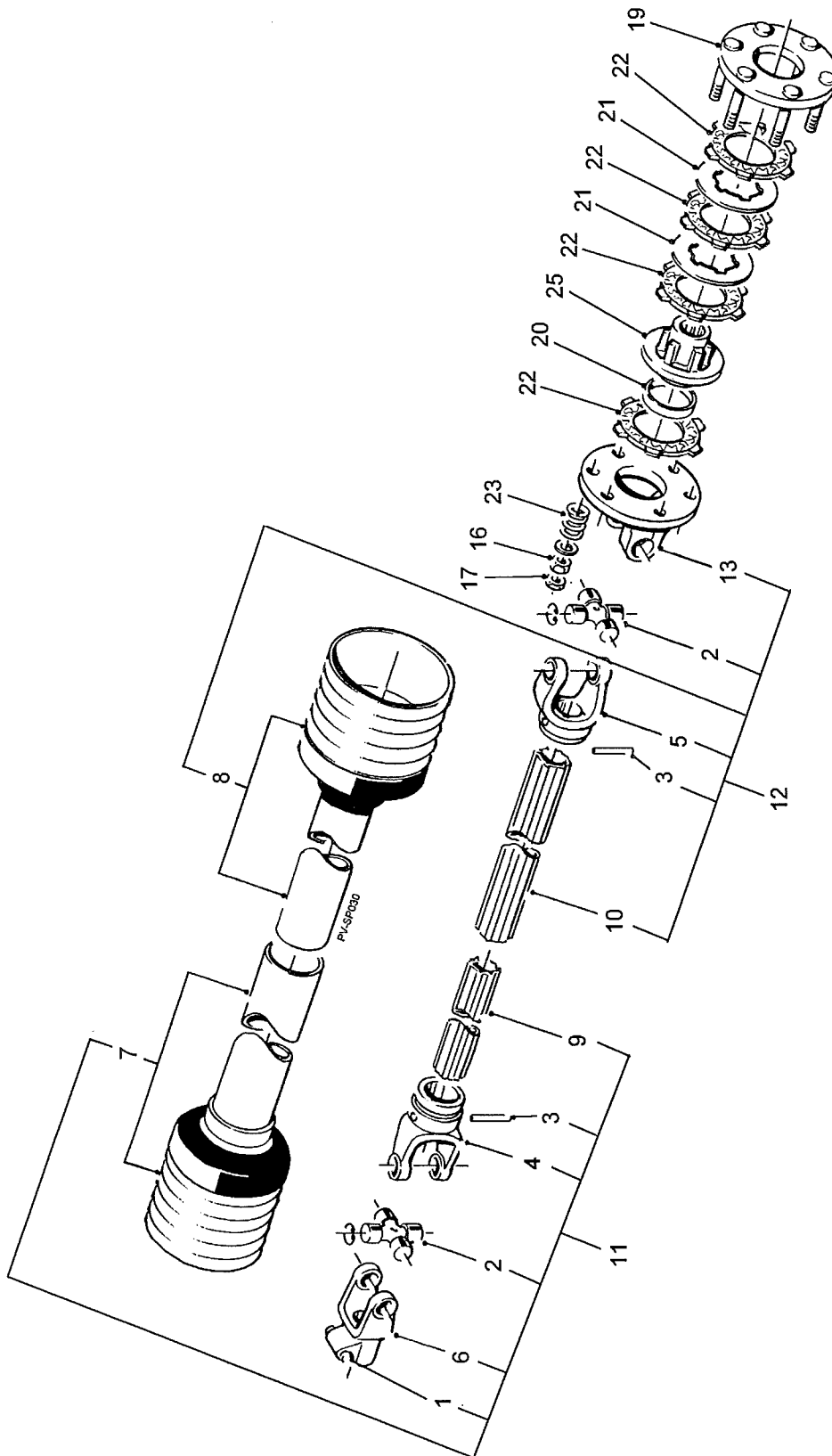
Gearbox Assembly

Item	Part No.	Description	Qty.	Remarks
1	DW202023950	O'Ring	1	
2	DW203031180	3/8"BSP Plug	1	
3	DW203032010	1/8"BSP Breather	1	
4	DW208001330	Ø90mm Internal Circlip	2	
5	DW208010240	Split Pin (Ø1/8"x2")	1	
6	DW208012090	Roll Pin (Ø1/4"x2")	2	
7	DW208016010	Split Pin (Ø4x45mm)		
8	DW251735122	Bearing	3	
9	DW251937191	Bearing	1	
10	DW252542101	Bearing	1	
11	DW255595641	Bearing	1	
12	DW263525051	Oil Seal	1	
13	DW267555122	Oil Seal	1	
14				
15	DW22031	Special Nut	1	
16				
17	DW330040	Breather Extension Tube	1	
18	DW330380	Tab Washer	1	
19	DW335029	Oil Seal Sleeve	1	
20	DW335270	Breather	1	
21	DW335330	Guard Mounting	1	
22	DW335388	Special M12 Setscrew	6	
23				
24	DW48486	Special Washer	1	
25				
26	DW61079	Special Castellated Nut	1	
27	DW65540	Special Clutch Nut	1	
28	DW65544	Gasket (0.75mm)	a/r	
	DW69740	Gasket (0.4mm)	a/r	
29	DW65584	11T Sprocket	1	
30	DW69896	90" Jackshaft	1	
	DW68726	80" Jackshaft	1	
	DW65775	70" Jackshaft	1	
31	DW800018	Input Shaft	1	
32	DW800019	Pinion Shaft	1	
33	DW800020	Pinion Cover Plate	1	
34	DW800021	Input Cover Plate	1	
35	DW800022	Pick-off Cover	1	
36	DW800023	Gasket	1	
37	DW800024	Thrust Washer	2	
38	DW800025	Gearcase	1	
39	DW800027	Spacer	1	
40	DW800028	13T Pinion	1	
41	DW800029	Shim (0.1mm)	a/r	
42	DW800030	Gasket (0.25mm)	a/r	
	DW800031	Gasket (0.5mm)	a/r	
43	DW800032	Shim (0.25mm)	a/r	
	DW800033	Shim (0.1mm)	a/r	
44	DW800034	17T Gear	1	
	DW800035	18T Gear	1	
	DW800036	16T Gear	1	
	DW800037	19T Gear	1	
45	DW800044	90" Support Tube	1	
	DW800045	80" Support Tube	1	
	DW800046	70" Support Tube	1	

PTO Drive Coupling & Clutch

Drive Coupling - Assy No DW700345

Clutch - Assy No DW800321



2.4a

POWAVATOR 90 SPARE PARTS

PTO Drive Coupling
Clutch Assembly

Assy No DW700345

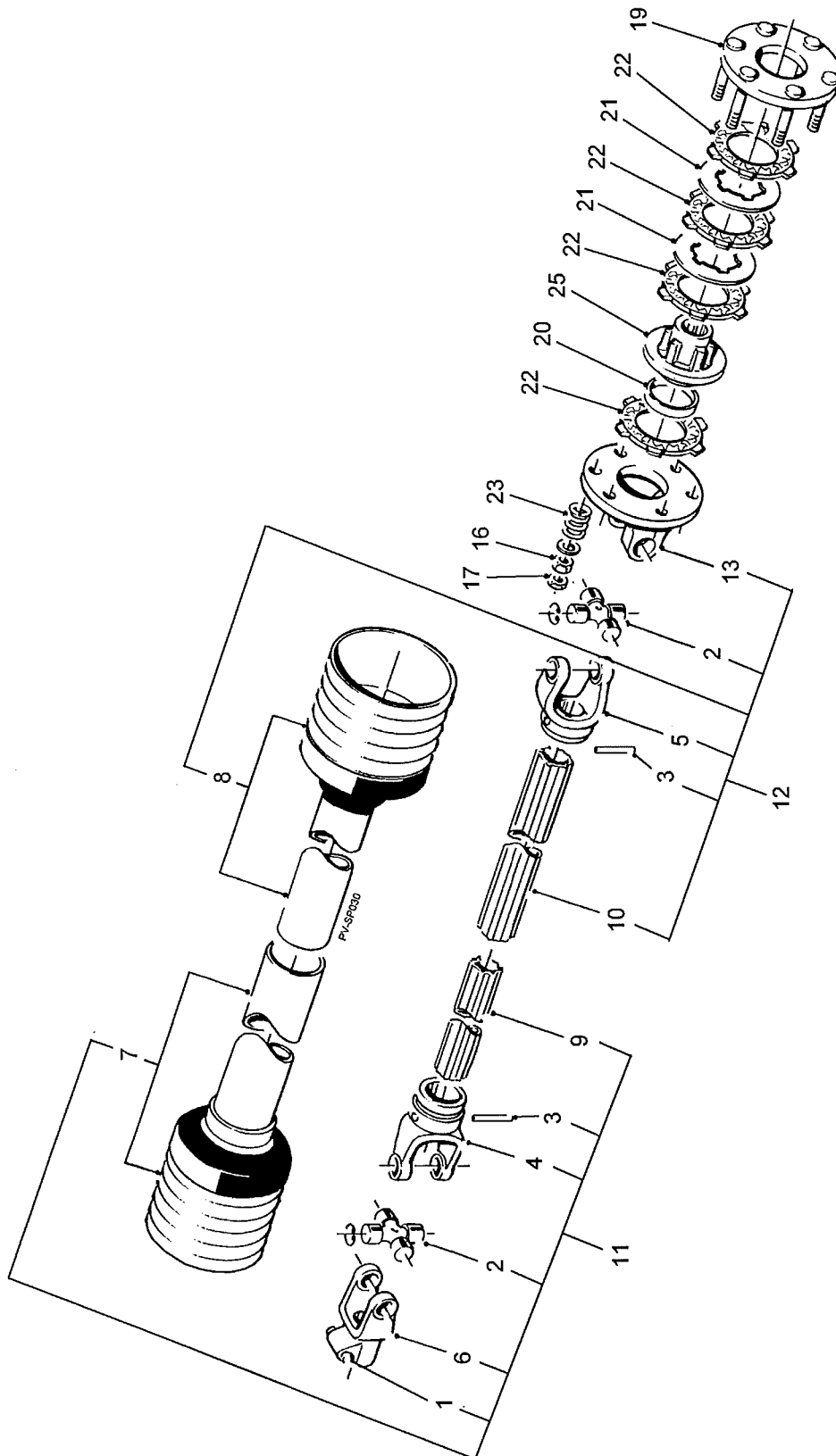
Assy No DW800321

Item	Part No.	Description	Qty.	Remarks
	DW700345	Drive Coupling Consists Of:		
1	DW204046840	Quick Release Pin Kit	1	
2	DW204046920	Cross Journal Set	2	
3	DW204046950	Spring Pin (Ø10x90mm)	2	
4	DW204047860	Inner Yoke	1	
5	DW204047870	Inner Yoke	1	
6	DW204047810	1 3/8" 6 Spline Yoke c/w Q/R Pin	1	
7	DW204059907	Female Half Guard	1	
8	DW204059906	Male Half Guard	1	
9	DW204064410	Male Tube	1	
10	DW204064411	Female Tube	1	
11	DW204067307	Male Half Shaft Assembly	1	
12	DW204067310	Female Half Shaft Assembly	1	
13	DW330428	Clutch Plate	1	
14				
15				
	DW800321	Clutch Assembly Consists Of:		
16	DW307512015	M12 Full Nut	6	
17	DW307512025	M12 Locknut	6	
18				
19	DW330358	Pressure Plate	1	
20	DW650345	Sleeve	1	
21	DW650346	Wear Disc	2	
22	DW650347	Friction Disc	4	
23	DW650349	Spring	6	
24				
25	DW800492	Clutch Disc	1	

PTO Drive Coupling & Clutch

Drive Coupling - Assy No DW700345

Clutch - Assy No DW335075



2.4a

POWAVATOR 90 SPARE PARTS

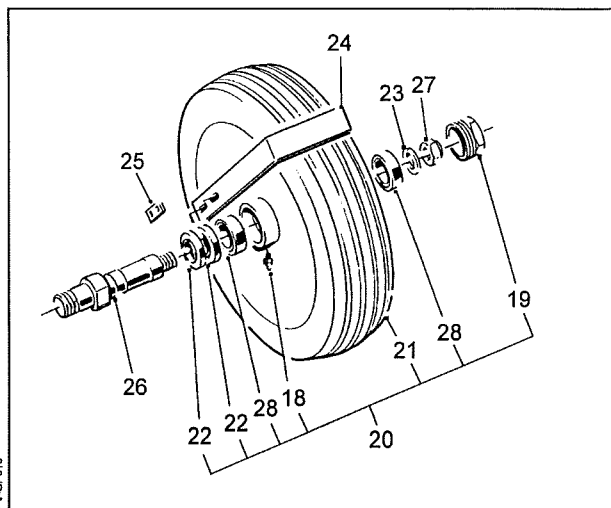
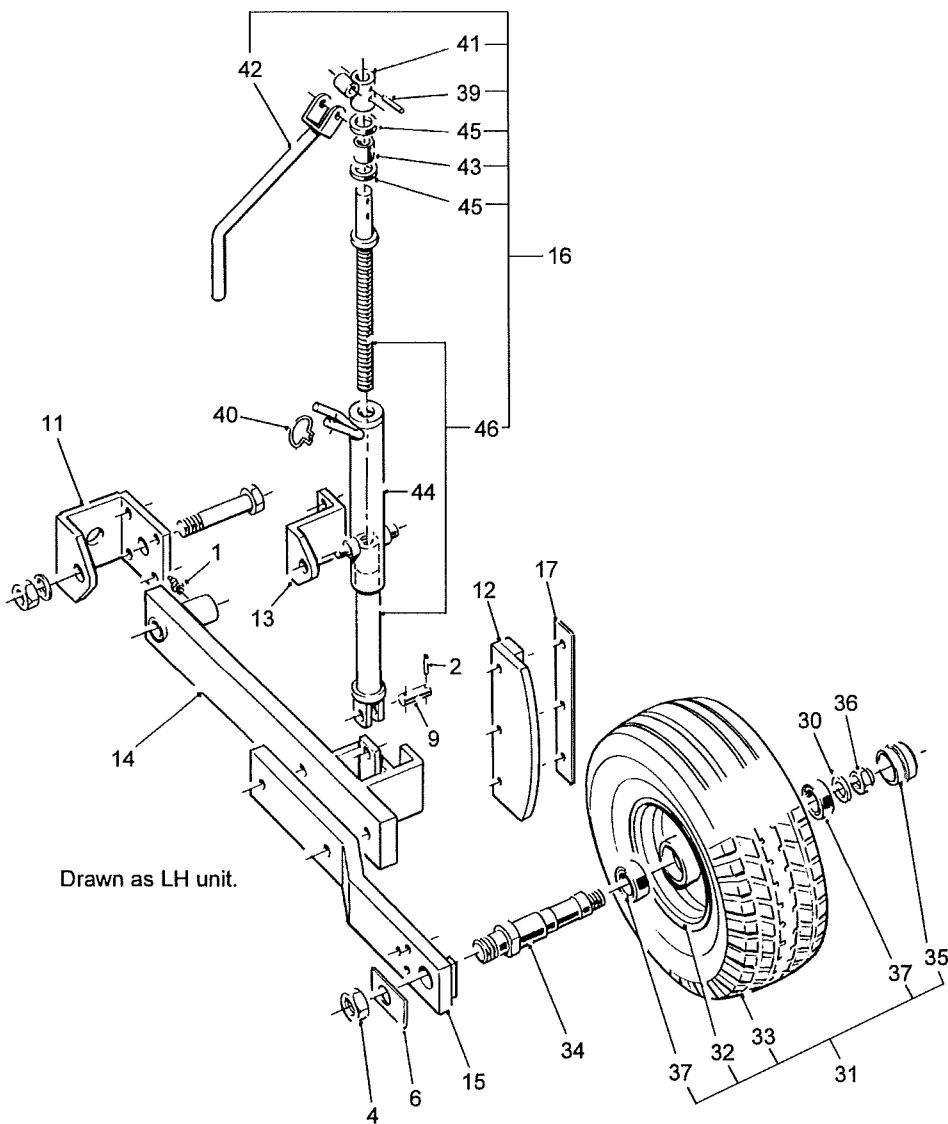
PTO Drive Coupling
Clutch Assembly

Assy No DW700345

Assy No DW335075

Item	Part No.	Description	Qty.	Remarks
	DW700345	Drive Coupling Consists Of:		
1	DW204046840	Quick Release Pin Kit	1	
2	DW204046920	Cross Journal Set	2	
3	DW204046950	Spring Pin (Ø10x90mm)	2	
4	DW204047860	Inner Yoke	1	
5	DW204047870	Inner Yoke	1	
6	DW204047810	1 3/8" 6 Spline Yoke c/w Q/R Pin	1	
7	DW204059907	Female Half Guard	1	
8	DW204059906	Male Half Guard	1	
9	DW204064410	Male Tube	1	
10	DW204064411	Female Tube	1	
11	DW204067307	Male Half Shaft Assembly	1	
12	DW204067310	Female Half Shaft Assembly	1	
13	DW330428	Clutch Plate	1	
14				
15				
	DW335075	Clutch Assembly Consists Of:		
16	DW307512015	M12 Full Nut	6	
17	DW307512025	M12 Locknut	6	
18				
19	DW330358	Pressure Plate	1	
20	DW650345	Sleeve	1	
21	DW650346	Wear Disc	2	
22	DW650347	Friction Disc	4	
23	DW650349	Spring	6	
24				
25	DW67239	Clutch Disc	1	

Depth Control Wheels

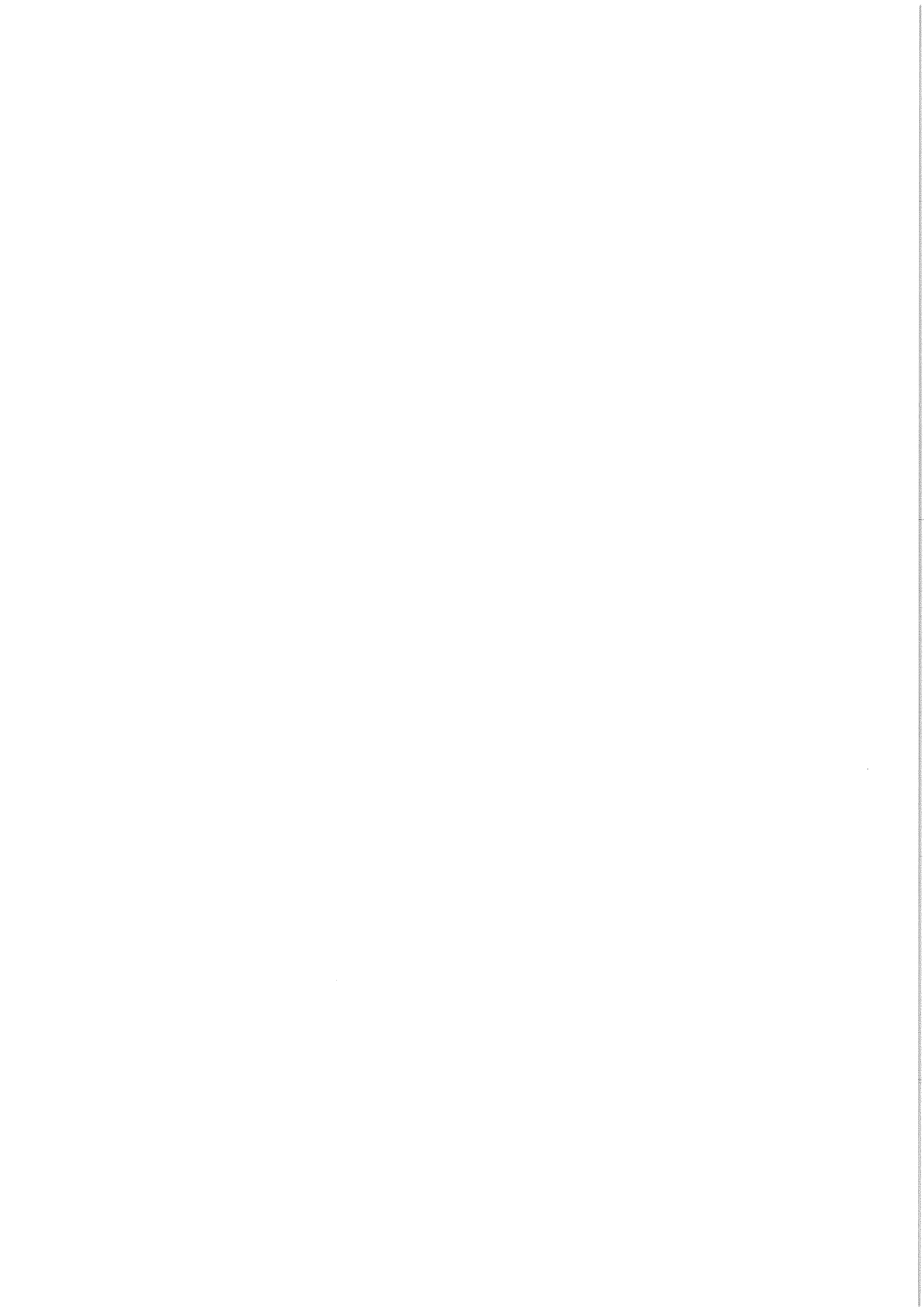


Depth Control Wheels

Item	Part No.	Description	Qty.	Remarks
1	DW202030020	1/8" BSP Grease Nipple	2	
2	DW208012475	Roll Pin (Ø5x30mm)	4	
3				
4	DW330095	M33 Special Nut	2	
5				
6	DW335134	Tab Washer	2	
7				
8				
9	DW653396	Pin	2	
10				
11	DW800080	Depth Arm Clevis	2	
12	DW800081	Guide Plate	2	
13	DW800082	Jack Mount Plate	2	
14	DW800085	Depth Control Arm	2	
15	DW800092	Wheel Arm	2	
16	DW800596	Depth Screw Assembly	2	(see list at end)
17	DW800081S	Guide Plate Shim	a/r	
		Steel Wheel Components Consist Of:		
18	DW202030870	M6 Grease Nipple	2	
19	DW202045050	M62 Dust Cap	2	
20	DW209055790	Steel Wheel Complete	2	
21	DW209055790/1	Steel Wheel	2	
22	DW266535120	Oil Seal (62x35x6)	4	
23	DW308160060	5/8" Flat Washer	2	
24	DW335132	Wheel Scraper	2	
25	DW335133	Backing Plate	2	
26	DW335480	Axle	2	
27	22041016	M16 Nyloc Nut	2	
28	6206	Bearing	4	
29				
		Pneumatic Wheel Components Consist Of:		
30	DW308200015	M20 Flat Washer	2	
31	DW804206	Pneumatic Wheel Complete	2	
32	DW804206/1	Wheel Rim	2	
33	DW804206/2	600x9 6PR Tyre	2	
34	DW804207	Axle	2	
35	KA10219	Dust Cap	2	
36	22041020	M20 Nyloc Nut	2	
37	62062RS	Bearing	4	
38				
		Solid Wheel Components Consist Of:		
30	DW308200015	M20 Flat Washer	2	
31	DWS345	Solid Wheel Complete (foam filled)	2	
32	DW804206/1	Wheel Rim	2	
33	DW804206/2	600x9 6PR Tyre	2	
34	DW804207	Axle	2	
35	KA10219	Dust Cap	2	
36	22041020	M20 Nyloc Nut	2	
37	62062RS	Bearing	4	
38				

Depth Control Wheels

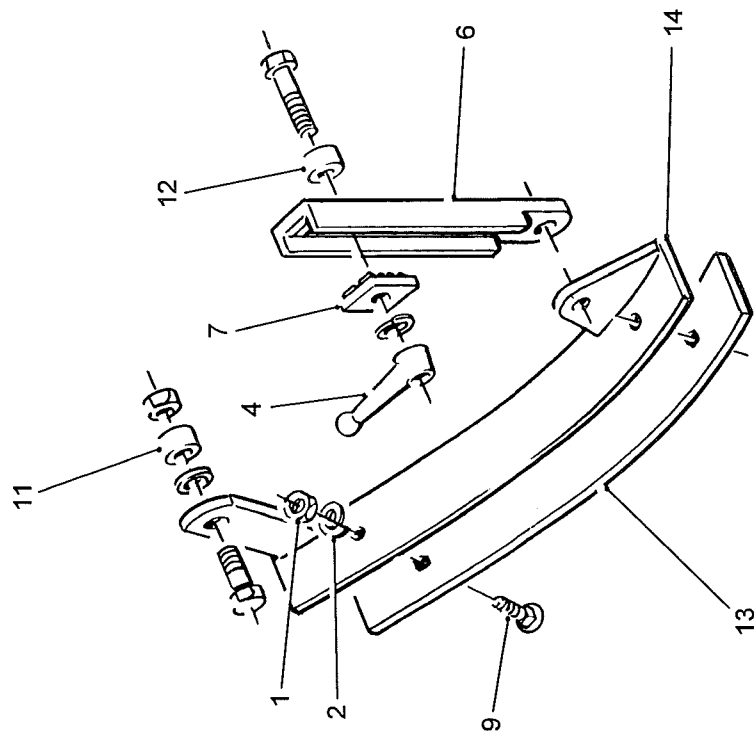
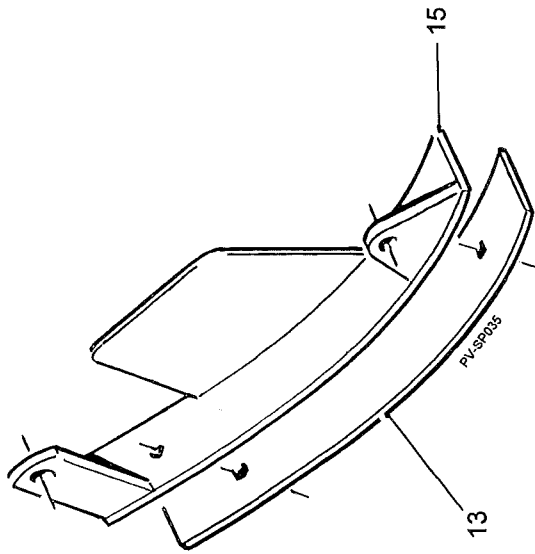
Item	Part No.	Description	Qty.	Remarks
	DW800596	Depth Screw Assembly Consists Of:		
39	DW208012525	Tension Pin (Ø6x30mm)	2	
40	DW60495	Clip Ring	1	
41	DW650183	Handle Block	1	
42	DW650184	Handle	1	
43	DW650187	Bush	1	
44	DW800084	Outer Tube	1	
45	DW800599	Thrust Washer	2	
46	DW801180	Inner Tube and Screw	1	



Depth Control Skids

LH Skid - Assy No DW800077

RH Skid - Assy No DW800078



2.6a**POWAVATOR 90 SPARE PARTS****Depth Control Skids**

LH Skid - Assy No DW800077

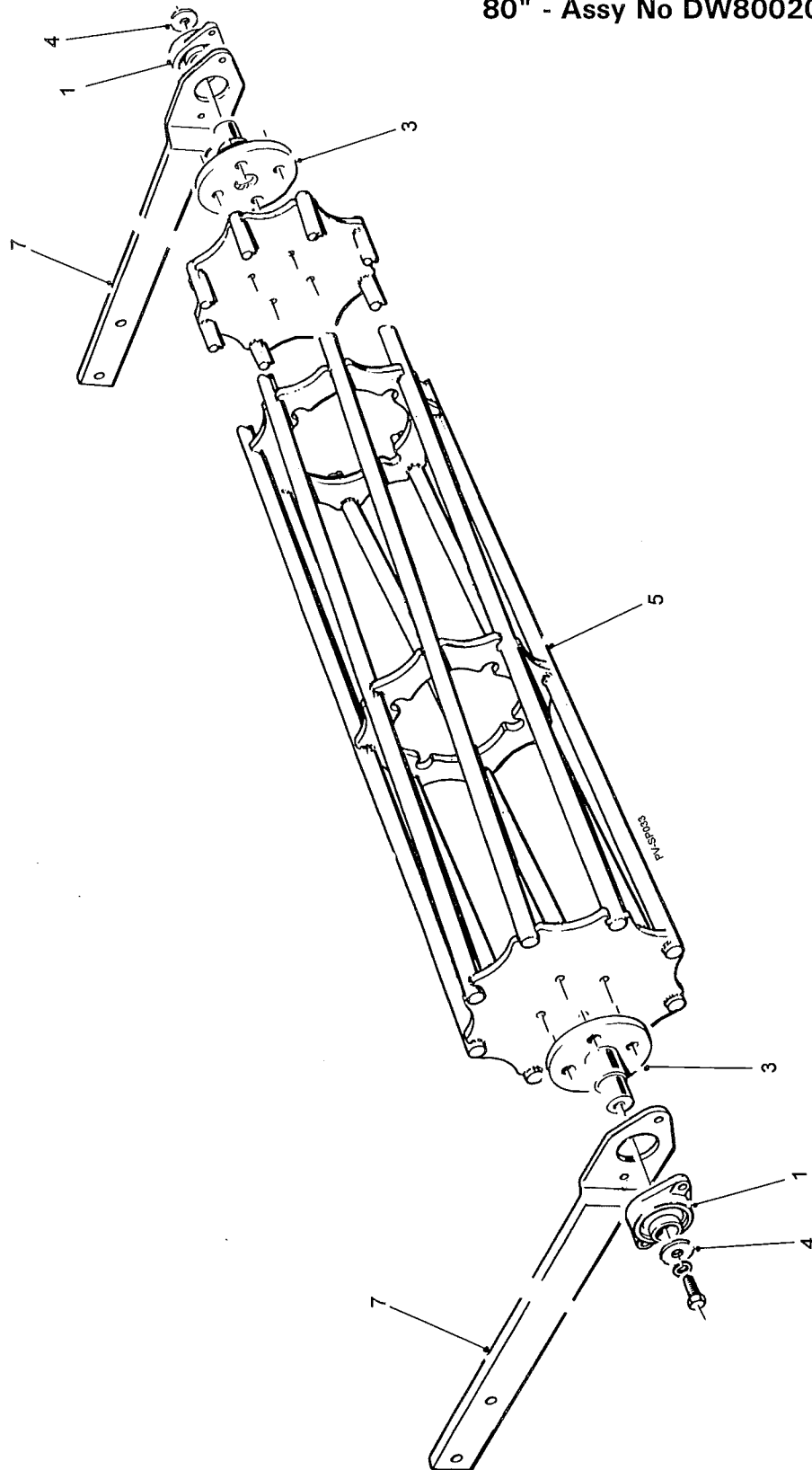
RH Skid - Assy No DW800078

Item	Part No.	Description	Qty.	Remarks
1	DW107107010	7/16"UNF Full Nut	4	
2	DW108071240	7/16"Spring Washer	4	
3				
4	DW335116	Adjuster Lever	2	
5				
6	DW50476	Adjuster Bar	2	
7	DW50477	Adjuster Stop	2	
8				
9	DW61051	Special Bolt	4	
10				
11	DW800086	Spacer	2	
12	DW800087	Spacer	2	
13	DW800088	Sole Plate	2	
14	DW800089	LH Skid	1	
15	DW800090	RH Skid	1	

Crumbler Roller Assemblies

90" - Assy No DW800199

80" - Assy No DW800200



2.7a**POWAVATOR 90 SPARE PARTS****Crumbler Roller Assemblies**

90" - Assy No DW800199

80" - Assy No DW800200

Item	Part No.	Description	Qty.	Remarks
1	DW254014492	Bearing	2	
2				
3	DW330320	Stub Axle	2	
4	DW330322	Washer	2	
5	DW335291	90"Crumbler Roller	1	
	DW330489	80"Crumbler Roller	1	
6				
7	DW800209	Roller Arm	2	