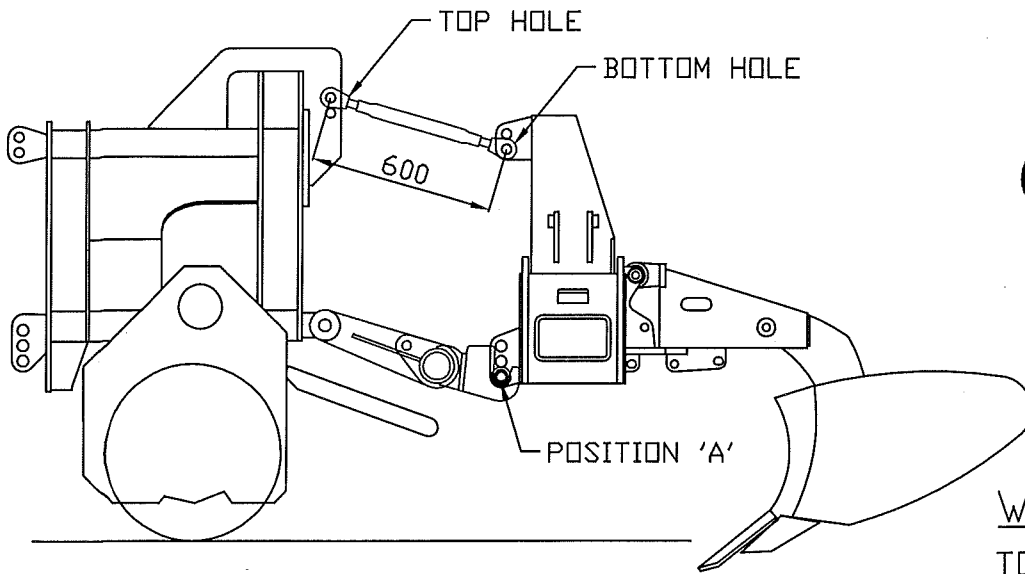


PARALLEL LINKAGE POSITIONS



WARNING

TO PREVENT DAMAGE TO THE MACHINE:

THE TOP LINK MUST BE SET TO 600mm CENTRES.

THE TOP LINK MUST BE POSITIONED IN THE CORRECT HOLES TO SUIT THE BOTTOM LIFT ARM POSITION A, B OR C.

