

**ONION
PADDLE KIT**

FROM 2006

Standen Engineering Limited.
Hereward Works,
Station Road, Ely,
Cambridgeshire.
CB7 4BP
England.

Tel: 01353 661111

www.standen.co.uk

Fax: 01353 662370



STANDEN ONION PADDLE KIT

The onion paddle kit is primarily designed to fit the current models of Standen Eng Ltd potato harvesters. The attachment can be fitted to other makes of harvester, but Standen Eng. Ltd take no responsibility for the installation, and operation of the assembly.

SAFETY PRECAUTIONS.

DO NOT attempt to carry out any adjustments, or maintenance with the machine running.

Mechanical lifting equipment must be used to move the paddle assembly.

The machine must only be installed and operated by suitably trained, and qualified persons.

Inspect all hydraulic hoses for damage, and ensure safe routing when installing the assembly.

The hydraulic system may be under pressure with the machine at rest. Ensure all residual pressure is released before any pipes are disconnected.

All hydraulic repairs must be carried out by suitably qualified operatives.

Never operate the machine in a state of disrepair.

INSTALLATION.

The square lifting bar is designed to run on the surface of the ground, with the digger web running just above the surface. The assembly drawing shows the approximate relationships of the unit relative to the front of a digger web.

When fitting the unit to a non Standen harvester the harvester bridge beam may need to be modified to allow the paddle kit to be mounted in the correct relative position to the digger web.

The bridge beam should be modified to allow the square bar to work close enough to the front of the digger web. The back of the drive case should clear the front of the web, leaving room for any stones that may be carried in the web. The rearward projection of the drive case acts as a deflector to guide the flow of crop onto the web, and to support the side deflector rubbers which in turn need to be bolted to the machine web sides.

It is nessecary to mount the onion paddle assembly underneath the bridge beam, the slots on the upper part of the drive cases allows for pitch adjustment.

When the onion paddle assembly is installed check that it does not foul on any part of the machine when the digger web is raised and lowered .

Depth wheels are available to preset the working depth of the onion paddle, they are usually fitted to run each side of the windrow and should be mounted on the front of the bridge beam.

The hydraulic oil supply to run the onion paddle is taken from the tractor live oil supply feeding the valve block on the harvester.

The oil from the tractor spool valve is fed to the **P**ressure port of the flow divider, and the **B**y**P**ass flow onto the harvester valve block feed.

The **REG**ulated oil flow from the flow divider is fed to the onion paddle motor.

STANDEN ONION PADDLE KIT

OPERATION.

When the harvester is set to the required working depth the onion paddle assembly should be pitched to run in a slightly nose high attitude. Running the unit flat to the ground, or nose down will result in excessive, and premature wear to the drive cases, and not as designed to the detachable wear plates.

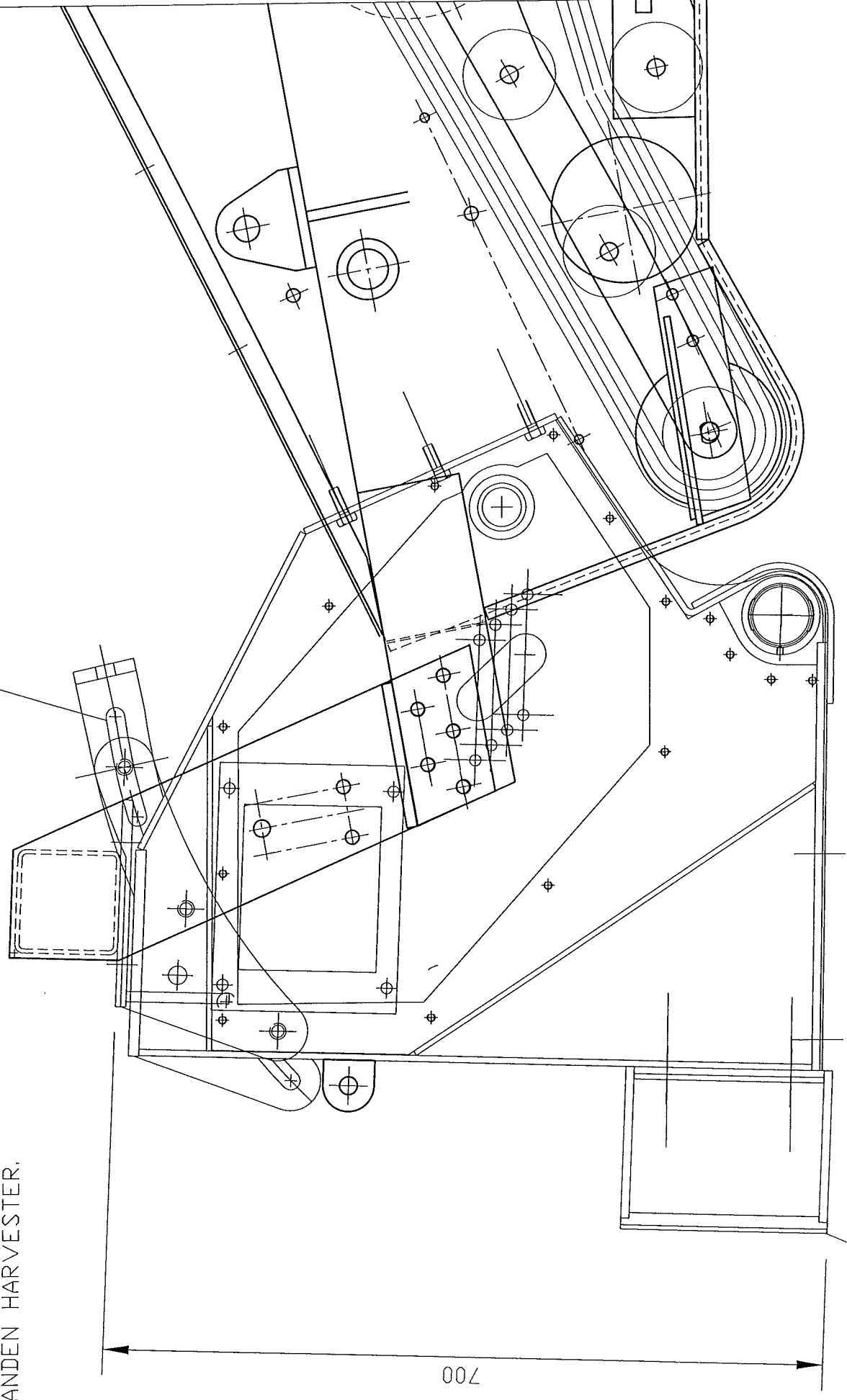
The speed of the onion paddle is controlled by adjusting the oil flow with the knob on the flow divider, the larger the number the faster the speed.

In operation the square bar should create a bow wave of soil which in turn lifts the onion onto the web.

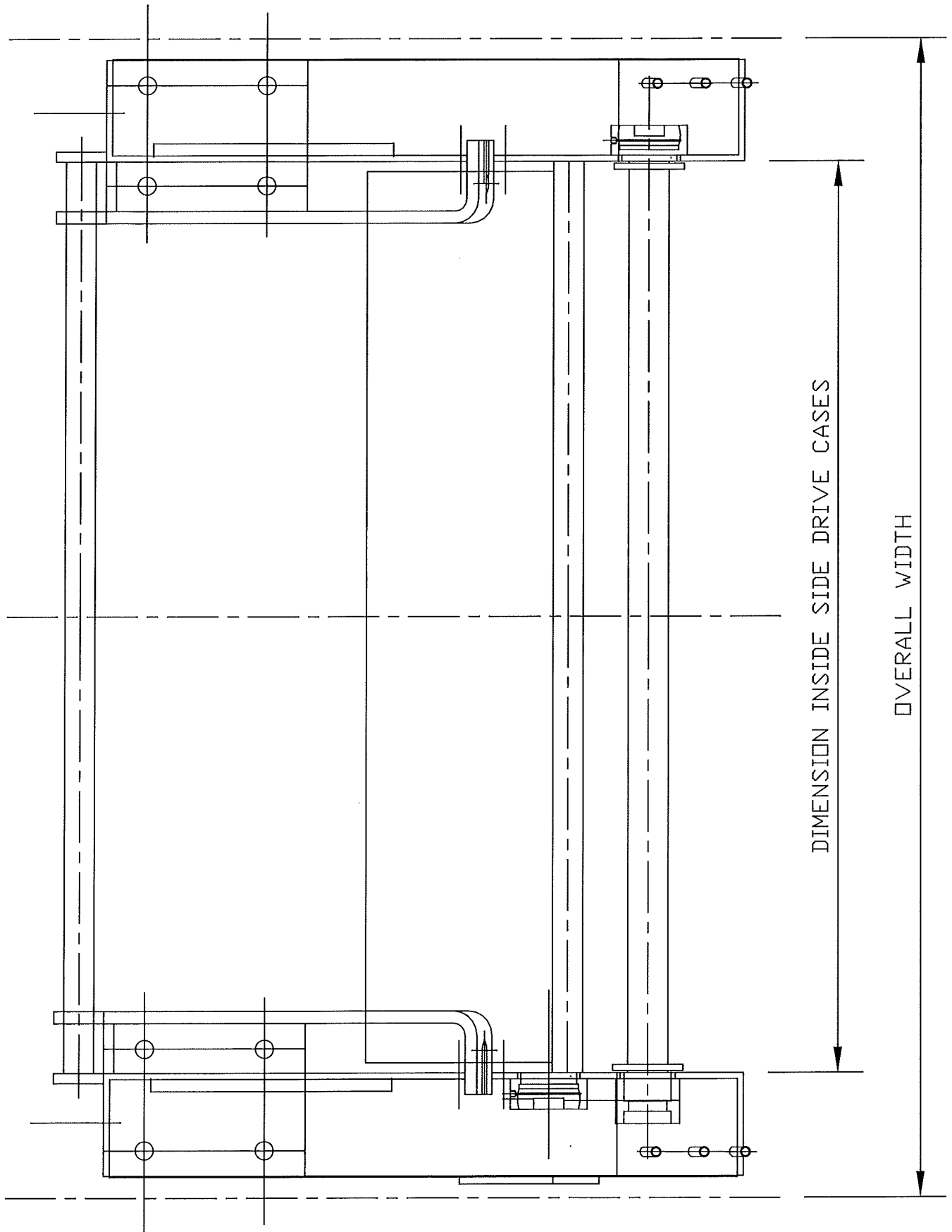
The height at which the rubber flaps work can be altered by using a series of holes in the drives cases.

UNION PADDLE ASSEMBLY SHOWN FITTED
TO A STANDEN HARVESTER.

PITCH ADJUSTMENT SLOTS



PADDLE ASSEMBLY TO RUN SLIGHTLY NOSE HIGH



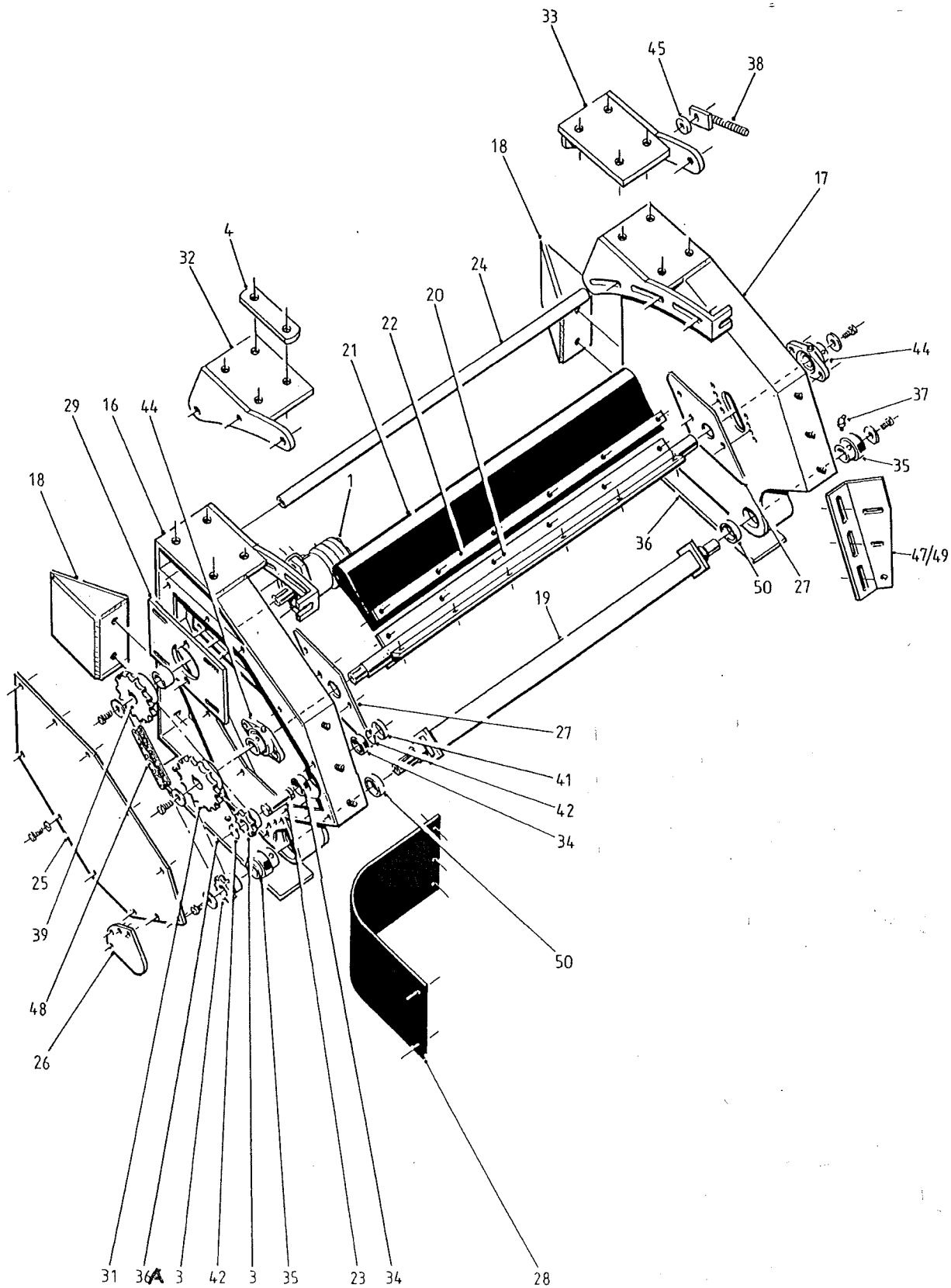
ORDER REF	900	1200	1375
DIMENSION INSIDE DRIVE CASES	900mm	1200mm	1375mm
OVERALL WIDTH	1145mm	1445mm	1620mm

THESE DIMENSIONS ARE FOR REFERENCE ONLY, FOR ACTUAL DIMENSIONS MEASURE THE ONION PADDLE ASSEMBLY

PLAN VIEW OF ONION PADDLE

SPARE PARTS

Onion Paddle Kits



SPARE PARTS

Onion Paddle Kits

Item	Part No.	Description	Qty.	Remarks
1	11608	Hydraulic Motor	1	
2				
3	27175	5/8"Pitch 11T Sprocket	2	
4	27286	Clamp Plate	4	
5				
6	33124	Axle Stud	2	
7	33167	Wheel Complete	2	(see list at end)
8	33222	Height Indicator	2	
9	33273	Clamp Plate	2	
10	33278	Depth Handle	2	
11	33279	Adjuster Screw	2	
12	33280	Depth Wheel Leg	2	
13	33281	Adjustable Depth Wheel Mounting	2	
14	33285	Depth Handle Boss	2	
15	43209	Hose Clamp	2	If required
16	51077	LH Drive Case	1	
17	51078	RH Drive Case	1	
18	44429	Nose Piece	2	
19	51079	Square Shaft (900mm)	1	
	51501	Square Shaft (1200mm)	1	
	51291	Square Shaft (1375mm)	1	
20	44431	Paddle Shaft (900mm)	1	
	51209	Paddle Shaft (1200mm)	1	
	51288	Paddle Shaft (1375mm)	1	
21	44432	Paddle Rubber (900mm)	3	
	51210	Paddle Rubber (1200mm)	3	
	51289	Paddle Rubber (1375mm)	3	
22	44433	Paddle Rubber Clamp Strip (900mm)	3	
	51211	Paddle Rubber Clamp Strip (1200mm)	3	
	51290	Paddle Rubber Clamp Strip (1375mm)	3	
23	44434	Idler Shaft	1	
24	44435	Tie Bar (900mm)	1	
	51212	Tie Bar (1200mm)	1	
	51287	Tie Bar (1375mm)	1	
25	44436	Drive Guard	1	
26	44437	Shaft End Guard	1	
27	44438	Bearing Filler Plate	2	
28	44439	Side Infill Rubber	2	
29	44442	Motor Mounting Plate	1	
30	44443	Depth Wheel Mounting Arm	2	
31	44457	5/8"Pitch 36T Sprocket	1	
32	46915	LH Pivot Mounting Bracket	1	
33	46916	RH Pivot Mounting Bracket	1	
34	6005RS	Bearing	2	
35	YAR206-2F	Bearing	2	
36	46917	Wear Strip	2	46917A RH WEAR RITE
37	GS411	1/8"BSP Angled Grease Nipple	1	
38	46918	Adjuster	2	
39	KA15101	5/8"Pitch 23T Sprocket	1	
40				
41	PH407	Seal	1	
42	PS843	Circlip	2	

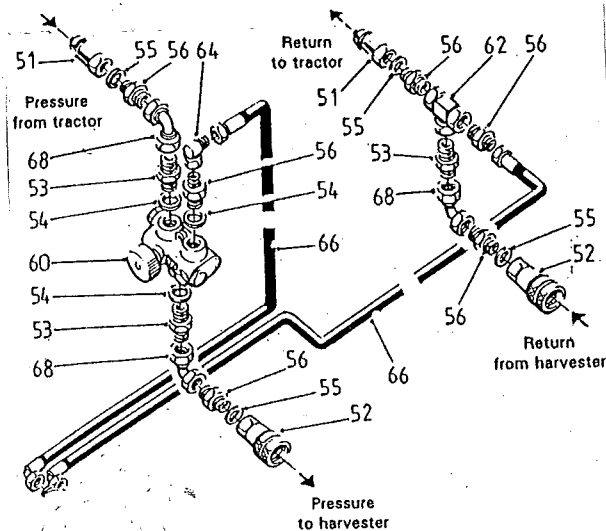
SPARE PARTS

Onion Paddle Kits

Item	Part No.	Description	Qty.	Remarks
43				
44	SFT30A	Bearing	2	
45	SS040017/010	Steel Spacer	2	
46	TR267	Transfer	2	
47	51081	LH Rubber Bracket	1	Not shown
48	W0644/118	5/8"Pitch Drive Chain	1	
49	51082	RH Rubber Bracket	1	
50	51080	Sealing Ring	2	

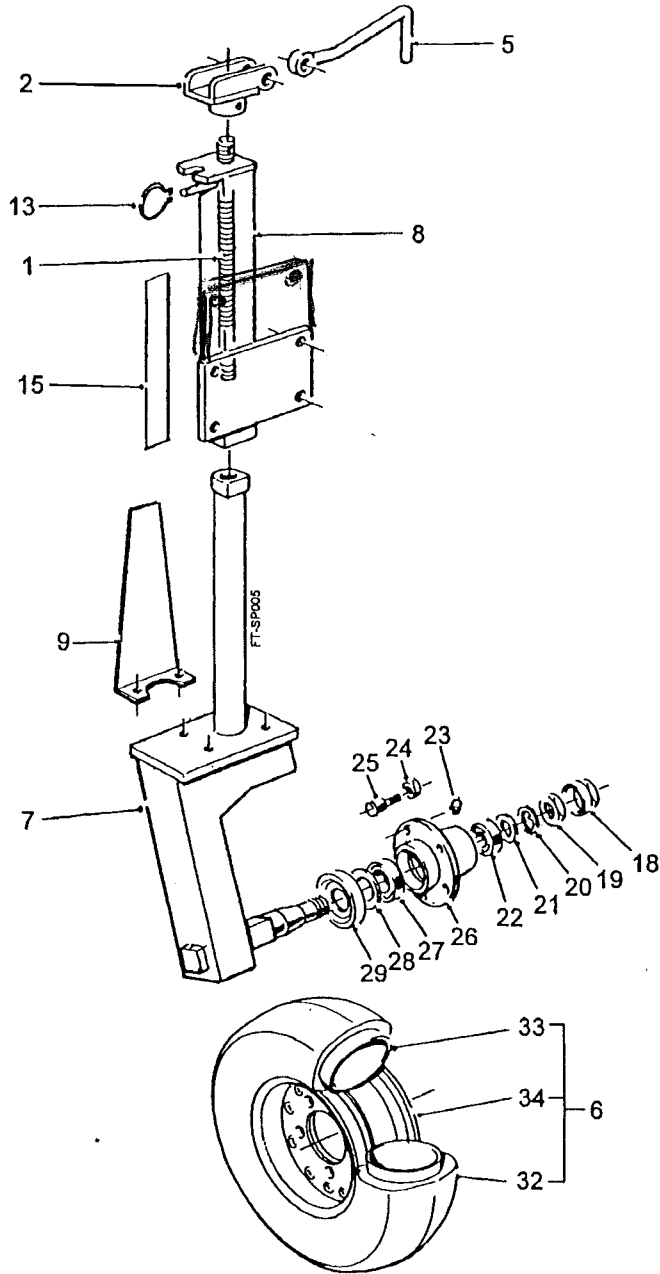
SPARE PARTS

Item	Part No.	Description	Qty.	Remarks
		Hydraulic Components Consist Of:		
51	10140	1/2" BSP Male Q/R Coupling	2	
52	10141	1/2" BSP Female Q/R Coupling	2	
53	11115	3/4" BSP M M Adaptor	3	
54	11123	3/4" BSP Dowty Seal	3	
55	11124	1/2" BSP Dowty Seal	6	
56	11295	1/2" BSP x 3/4" BSP M M Adaptor	6	
57				
58	12315	1/2" BSP M M Adaptor	2	
59				
60	27720	Variable Flow Divider	1	
61				
62	31186	3/4" BSP Female Tee	1	
63				
64	32475	1/2" BSP M F Compact 90° Adaptor	1	
65				
66	41451	1/2" Hose Assembly (3950mm)	2	
67				
68	TBMW609	3/4" BSP Female Swept 90° Adaptor	3	
69				



SPARE PARTS

Depth Wheel



2.2a

SPARE PARTS

Machines from Serial No FT2 528

Depth Wheel/Depth Disc Assemblies

Item	Part No.	Description	Qty.	Remarks
		Depth Wheel Assemblies Consists Of:		
1	33279	Adjuster Screw	2	
2	47164	Pivot Bracket	2	
3	51951	MOUNTING BRACKET	2	NOT SHOWN
4	33273	CLAMP PLATE	2	NOT SHOWN.
5	50039	LH Depth Handle	1	
	50083	RH Depth Handle	1	(not shown)
6	50071	Wheel Complete	2	(see list at end)
7	50072	LH Depth Wheel Leg	1	
	50073	RH Depth Wheel Leg	1	(not shown)
8	50074	LH Depth Wheel Mounting	1	
	50075	RH Depth Wheel Mounting	1	(not shown)
9	50082	Height Indicator	2	
10				
11				
12				
13	DW60495	Spring Clip	2	
14				
15	TR267	Transfer	2	
16				
17				
18	50072X/1	End Cap	2	
19	50072X/2	Castellated Nut	2	
20	50072X/3	Locking Washer	2	
21	50072X/4	Spacer	2	
22	50072X/5	Bearing	2	
23	50072X/6	Grease Nipple	2	
24	50072X/7	Wheel Nut	10	
25	50072X/8	Wheel Stud	10	
26	50072X/9	Hub	2	
27	50072X/10	Bearing	2	
28	50072X/11	Seal	2	
29	50072X/12	Shroud	2	
30				
31				
	50071	Wheel Complete Consists Of:		
32	33117	6.00x9-6Ply Tyre	1	
33	33118	Tube	1	
34	50077	Wheel Rim	1	