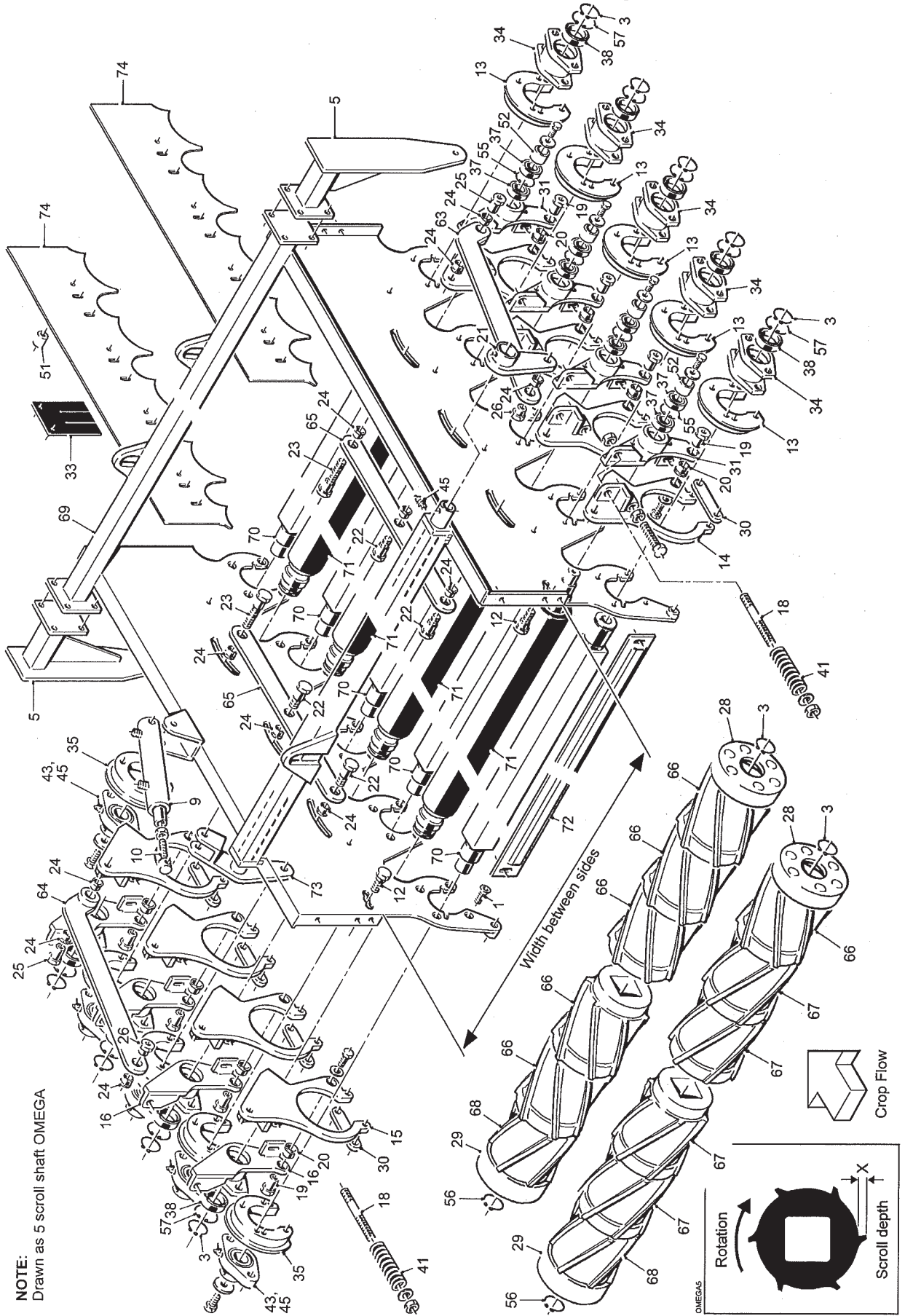


OMEGA Separators (HERBERT)



OMEGA Separators (HERBERT)

Item	Part No.	Description	Qty.	Remarks
			5	
			Shaft	
1	22016010/020	M10x20 CSK Socket Head Screw	40	
2				
3	33130/16	Ø50 External Circlip	14	
4				
5	62420	Pivot Bracket	2	
6				
7				
8				
9	56679	Hydraulic Ram	1	
10	56690	Ram Eye	1	
11				
12	59346	Location Bolt	2	
13	59928	Bearing Boss (LH)	5	
14	59144	LH Carrier Plate	4	
15	59145	RH Carrier Plate	4	
16	59685	RH Clod Roller Plate	4	
17				
18	59155	Spring Rod	8	
19	59162	Pivot Pin	8	
20	59163	Pivot Flange Bush	8	
21	59166	Clod Roller Lift Arm	1	
22	59173	Shoulder Bolt (short)	4	
23	59174	Shoulder Bolt (long)	2	
24	59175	Pivot Flange Bush	12	
25	59176	Tapped Boss (long)	2	
26	59177	Tapped Boss (short)	2	
27				
28	59347	Female End Cap (Ø45 bore)	5	
	59347A	Female End Cap (Ø50 bore)	5	
29	59348	Male End Cap (Ø45 bore)	5	
	59348A	Male End Cap (Ø50 bore)	5	
30	59352	Carrier Plate Tie	8	
31	59929	LH Clod Roller Plate	4	
32				
33	59865	Rubber Deflector	8	
34	59529	Motor Mount	5	
35	59692	Bearing Boss (RH)	5	
36				
37	6006RS	Bearing	8	
38	60102RS	Bearing	9	
39				
40				
41	DW25131	Compression Spring	8	
42				
43	LFTC35A	Bearing	5	
44				
45	RPC648.061001	Grease Nipple 45°	7	
46				
47				
48				
49				
50				
51	SS025011/030	Steel Spacer	8	

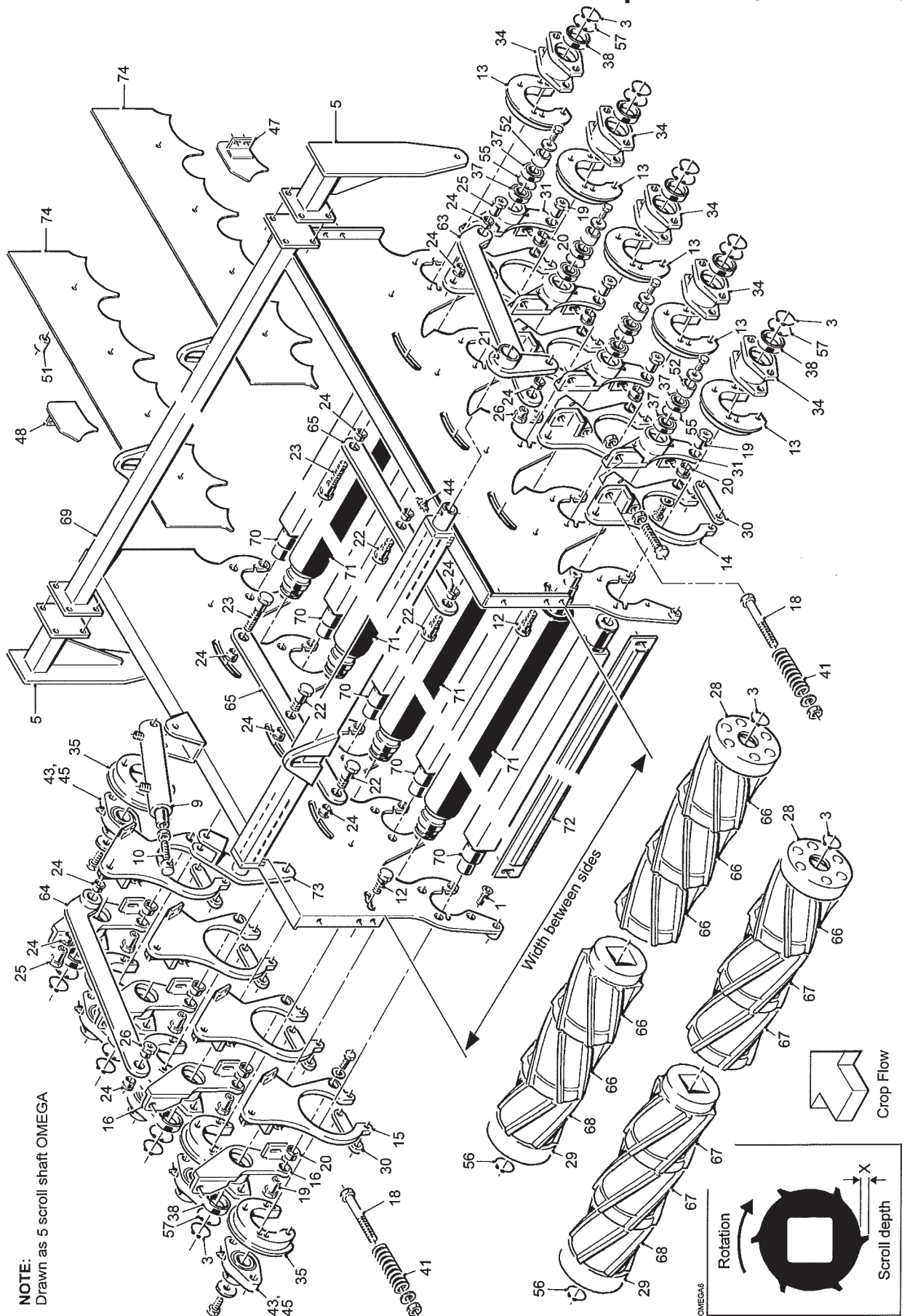
OMEGA Separators (HERBERT)

Item	Part No.	Description	Qty.	Remarks		
52	SS038025/032	Steel Spacer	5			
53			Shaft			
54			4			
55			W0111		Ø55 Internal Circlip	4
56			W0117		Ø45 External Circlip	5
57			W0161		Ø80 Internal Circlip	9
58						
59						
60						
61						
62						
63	59171	LH Link	1			
64	59172	RH Link	1			
65	59693	Connecting Link (3 holes)	2			
66	56761	LH Scroll (X = 10mm)	a/r			
	59350	LH Scroll (X = 6mm)	a/r			
67	56762	RH Scroll (X = 10mm)	a/r			
	59351	RH Scroll (X = 6mm)	a/r			
68	56762A	Short RH Scroll (X = 10mm)	5			
	59351A	Short RH Scroll (X = 6mm)	5			
69	59924/width	5 Roller Frame (HERBERT)	1			
70	59136A/width	Scroll Shaft (HERBERT)	4			
71	59927/width	Ø63 Ebonite Clod Roller (HERBERT)	4			
72	59164/width	Clod Roller Scraper	4			
73	59165/width	Clod Roller Lift Shaft	1			
74	59925	Stainless Steel Panel	2			
		<p>WHERE INDICATED, ADD WIDTH TO PART NO. (eg. 59924/1800)</p> <p>Widths include: 1800, 2400</p>				



Machines from 2013

OMEGA Separators (HERBERT)



Machines from 2013

OMEGA Separators (HERBERT)

Item	Part No.	Description	Qty.	Remarks
			5 Shaft	
1	22016010/020	M10x20 CSK Socket Head Screw	40	
2				
3	33130/16	Ø50 External Circlip	14	
4				
5	62420	Pivot Bracket	2	
6				
7				
8				
9	56679	Hydraulic Ram	1	
10	56690	Ram Eye	1	
11				
12	59346	Location Bolt	2	
13	59928	Bearing Boss (LH)	5	
14	62648	LH Carrier Plate	4	
15	62649	RH Carrier Plate	4	
16	59685	RH Clod Roller Plate	4	
17				
18	22012016/140	M16x140 Bolt	8	Was 59155
19	59162	Pivot Pin	8	
20	59163	Pivot Flange Bush	8	
21	59166	Clod Roller Lift Arm	1	
22	59173	Shoulder Bolt (short)	4	
23	59174	Shoulder Bolt (long)	2	
24	59175	Pivot Flange Bush	12	
25	59176	Tapped Boss (long)	2	
26	59177	Tapped Boss (short)	2	
27				
28	59347	Female End Cap (Ø45 bore)	5	
	59347A	Female End Cap (Ø50 bore)	5	
29	59348	Male End Cap (Ø45 bore)	5	
	59348A	Male End Cap (Ø50 bore)	5	
30	59352	Carrier Plate Tie	8	
31	62280	LH Clod Roller Plate	4	
32				
33				
34	59529	Motor Mount	5	
35	59692	Bearing Boss (RH)	5	
36				
37	6006RS	Bearing	8	
38	60102RS	Bearing	9	
39				
40				
41	DW25131	Compression Spring	8	
42				
43	LFTC35A	Bearing	5	
44	RPC648.061001	Grease Nipple 45°	1	
45	RPC648.061001	Grease Nipple 90°	6	
46				
47	62652	LH Deflector Plate (short)	4	
48	62653	RH Deflector Plate (short)	4	
49				
50				
51	SS025011/030	Steel Spacer	8	

Machines from 2013

OMEGA Separators (HERBERT)

Item	Part No.	Description	Qty.	Remarks
52	SS038025/032	Steel Spacer	5 Shaft 4	
53				
54				
55	W0111	Ø55 Internal Circlip	4	
56	W0117	Ø45 External Circlip	5	
57	W0161	Ø80 Internal Circlip	9	
58				
59				
60				
61				
62				
63	59171	LH Link	1	
64	59172	RH Link	1	
65	59693	Connecting Link (3 holes)	2	
66	56761 59350	LH Scroll (X = 10mm) LH Scroll (X = 6mm)	a/r a/r	
67	56762 59351	RH Scroll (X = 10mm) RH Scroll (X = 6mm)	a/r a/r	
68	56762A 59351A	Short RH Scroll (X = 10mm) Short RH Scroll (X = 6mm)	5 5	
69	59924/width	5 Roller Frame (HERBERT)	1	
70	59136A/width	Scroll Shaft (HERBERT)	4	
71	59927/width 62753/width	Ø63 Ebonite Clod Roller (HERBERT) Ø60 Stainless Steel Clod Roller	4 4	
72	59164/width	Clod Roller Scraper	4	
73	59165/width	Clod Roller Lift Shaft	1	
74	62675	Stainless Steel Panel	2	
		WHERE INDICATED, ADD WIDTH TO PART NO. (eg. 59924/1800)		
		Widths include: 1200, 1800, 2400		

